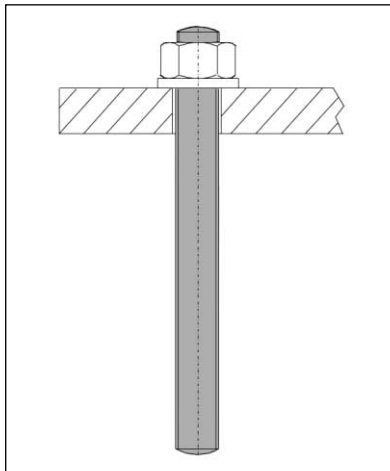
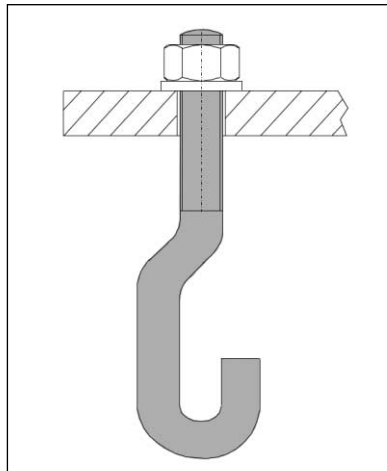


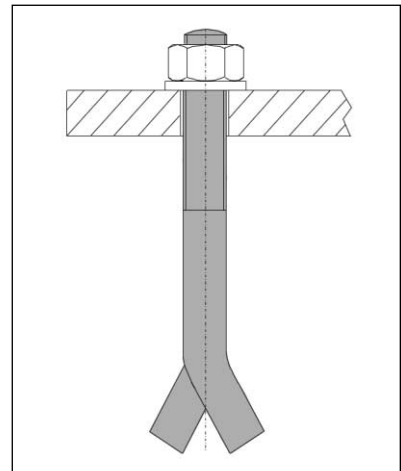
**The most common types :**



Gewindeanker  
DIN 976



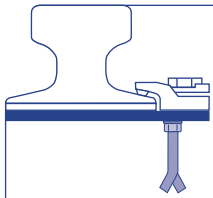
Hakenanker  
DIN 529 B



Spreizanker  
DIN 529 C

| Anchoring acc. to DIN<br>Steel grade 4.6 | Length | Length in GANTREX®<br>pre-casting<br>grout | Thread |
|--|--------|--|--------|
| DIN 976                                  | 200    | 160  | M16    |
|  | 250    | 200  | M20    |
|  | 300    | 250  | M24    |
| DIN 529 B                                | 200    | 160  | M16    |
|  | 250    | 200  | M20    |
|  | 300    | 250  | M24    |
| DIN 529 C                                | 200    | 160  | M16    |
|  | 250    | 200  | M20    |
|  | 300    | 250  | M24    |

For other shapes, please consult us.

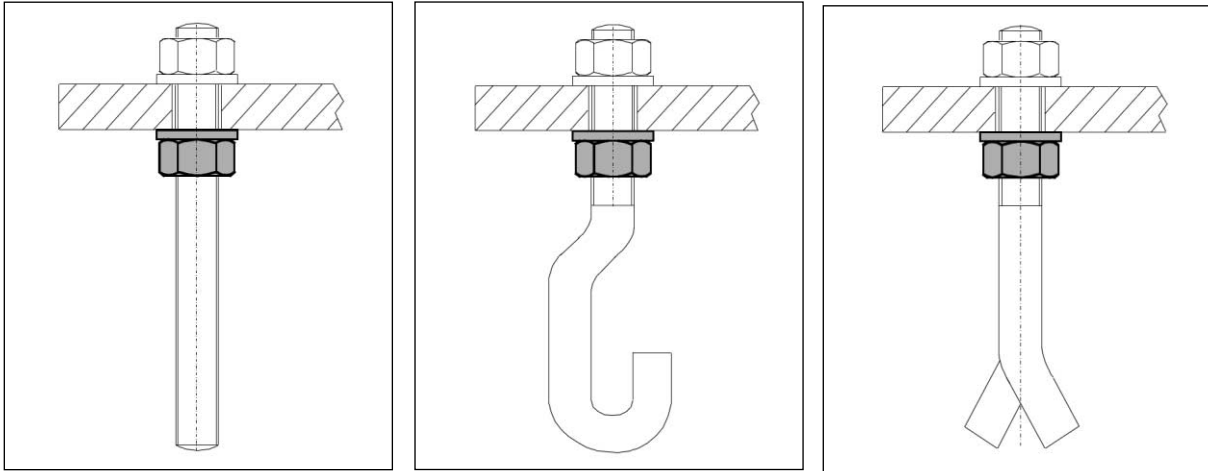


## LEVELLING DEVICE



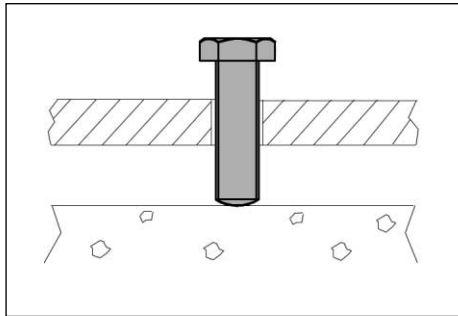
### The most common types :

#### NUT + WASHER



Commonly used in 3 standard sizes (M16, M20 and M24) :  
synthetic washer similar to DIN 125 on metal nut DIN 934.

#### LEVELLING SCREW



For other systems, please consult us.

*We reserve the right to discontinue or change specifications or design at any time without prior notice  
and without incurring any obligation whatsoever.*

**Darusin**

Hungary, 2400 Dunaujváros, Neumann J. u. 16 • Tel: +36 25 503 930 • Fax: +36 25 503 931  
E-mail: [darusin@darusin.hu](mailto:darusin@darusin.hu) • webpage: [www.darusin.hu](http://www.darusin.hu)